

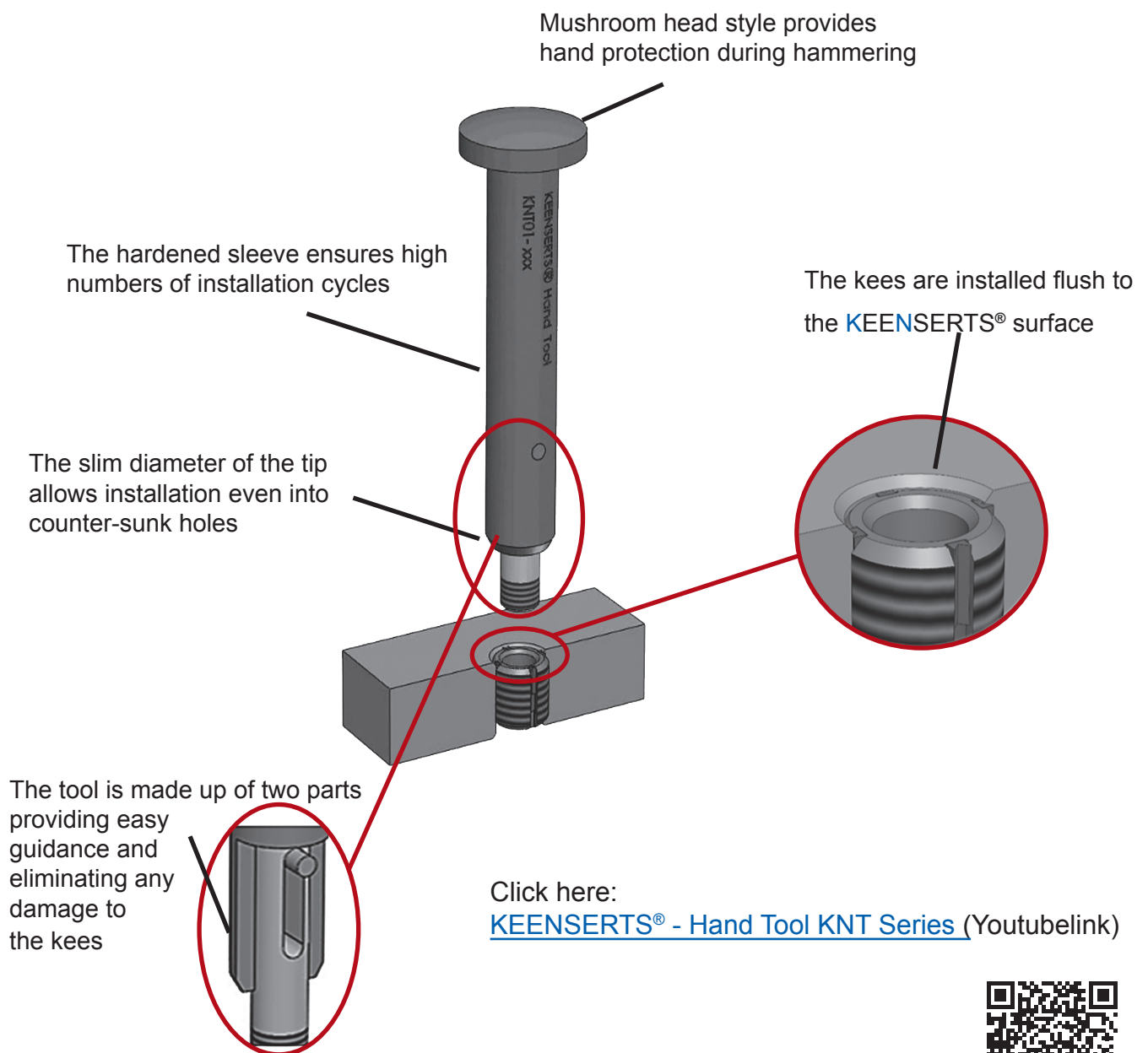
KEENSERTS® Hand Tools KNT Series



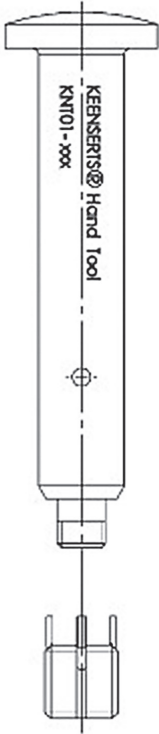
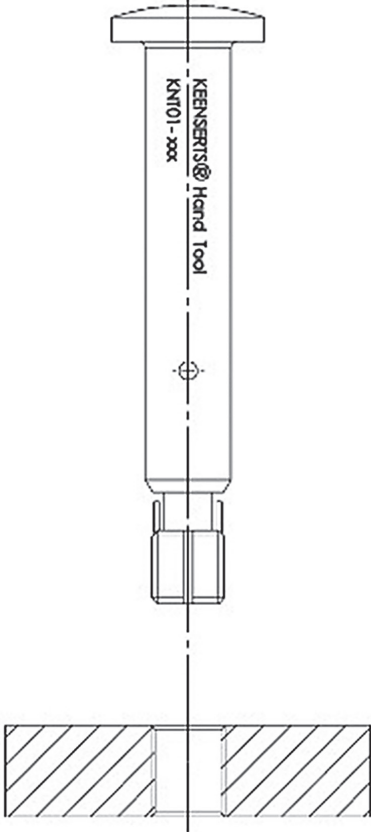
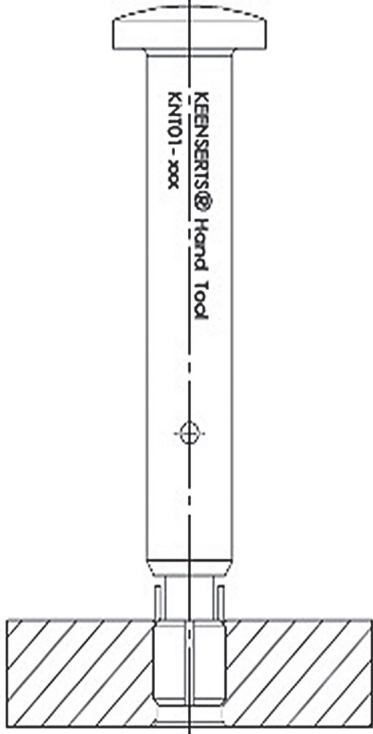
Introducing the new KNT line of KEENSERTS® Hand Tools

Next to a fast and easy installation a save, repeatable and reliable installation process, even for untrained personnel, was on the agenda for this new line of tools.

This was realized with a tool working on the telescopic principle that gives an excellent guidance during installation. Any tilting of the tool that could result in bending or breaking of the kees is eliminated.



Installation Process

Step 1	Step 2	Step 3
<p>Screw in the KEENSERTS® onto the threaded pin up to the end of the thread.</p> 	<p>Screw the KEENSERTS® into the workpiece until the keys stop on the chamfer or the favored depth is reached (recommended hole preparation).</p> 	<p>Drive in the keys with short and precise hammer taps. Keys can be controlled after each tap until the favored depth is reached or until the anvil stops on the chamfer (final position).</p> 

Available Tool sizes

KEENSERTS® Size	Part Number
KNT01	
KNHM(L)4X0.7	KNT01-HM4x0.7AU
KNM(L)5X0.8	KNT01-M5x0.8AU
KNHM(L)5X0.8	KNT01-HM5x0.8AU
KNM(L)6X1.0	KNT01-M6x1.0AU
KNHM(L)6X1.0	KNT01-HM6x1.0AU
KNM(L)8X1.25	KNT01-M8x1.25AU
KNHM(L)8X1.25	KNT01-HM8x1.25AU
KNM(L)10X1.5	KNT01-M10x1.5AU
KNHM(L)10X1.5	KNT01-HM10x1.5AU
KNM(L)12X1.75	KNT01-M12x1.75AU
KNHM(L)12X1.75	KNT01-HM12x1.75AU

KNT03

KNHM(L)14x2.0	KNT03-HM14x2.0AU
KNHM(L)16x2.0	KNT03-HM16x2.0AU
KNHM(L)18x1.5	KNT03-HM18x1.5AU
KNHM(L)20x2.5	KNT03-HM20x2.5AU
KNHM(L)24x3.0	KNT03-HM24x3.0AU

